

USB3.0 Data Transfer Box



HB-7521



HB-7521 is a device that transfers data recorded in the dedicated SSD pack of 8K recoder/8K camcorder to any PC.

Easy set up by inserting the main unit's USB3.0 Type B connector into the USB3.0 slot mounted on your PC. Freely operate using a dedicated GUI.

Features

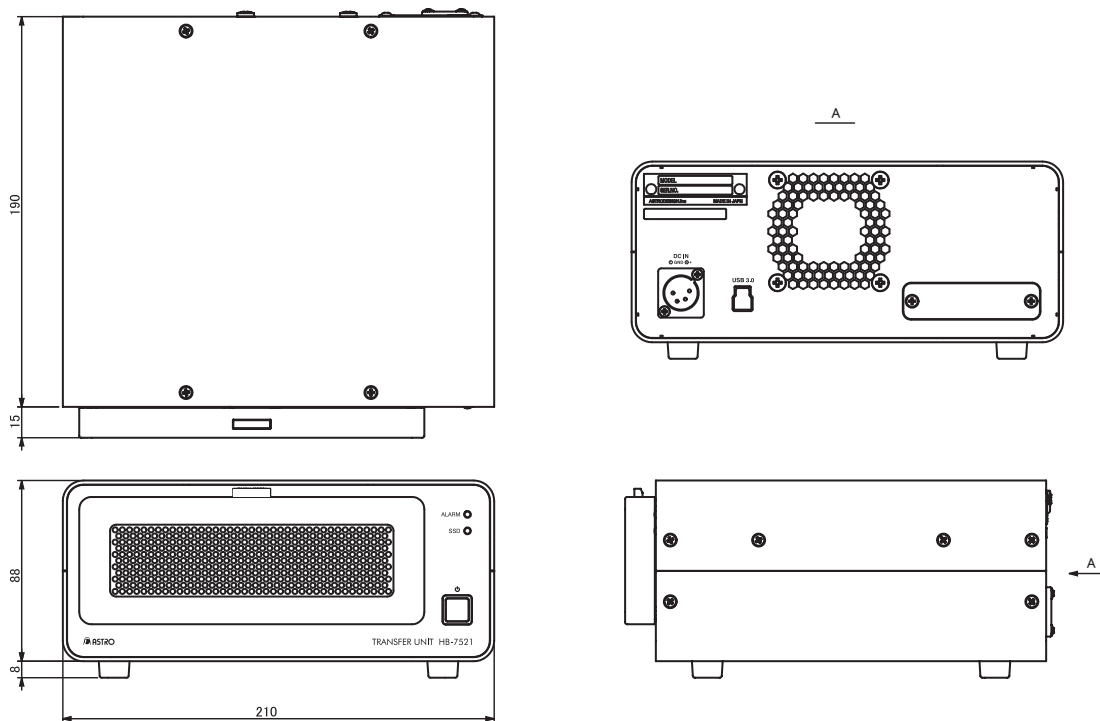
- This unit uses a dedicated application to transfer data (Astro original compressed data) stored on an SSD pack (FD-7516, MM-210, MM-210A-1, etc.) to a recording device (SSD, HDD, etc.) connected to your PC. The transferred data is then converted to either HQX AVI/DPX/TIFF and saved.
- Data can be transferred back from a PC connected recording device (SSD, HDD, etc.) to an SSD pack (FD-7516, MM-210, MM-210A-1, etc.) as well.
- This is convenient for file transfer when on-location or in another place where access to your normal workstation is not available.



Specifications

Power Requirements	12V DC support, Canon connector
Power Consumption	30W MAX (when SSD pack is inserted)
Operating Temperature Range	+5 to 40°C
Operating Humidity Range	20 to 80% RH (No Condensation)
Dimensions	210 (W) × 96 (H) × 205 (D) mm (Excluding Protrusions)
Weight	1.62kg (Excluding SSD pack)
Accessories	Accessory CD (instruction manual, software), AC/DC adapter

Exterior Diagram



ASTRODESIGN, Inc.

Contact to:
TOKYO Headquarters 1-5-2 Minami-yukigaya, Ota-ku, Tokyo, Japan 145-0066
USA OFFICE 780 Montague Expressway, Suite 302, San Jose CA 95131 USA
URL <http://www.astro-americas.com>

* The specifications are subjected to change without notice.
TEL +81-(0)3-5734-6320 FAX +81-(0)3-5734-6102
TEL +1-408-435-7800 FAX +1-408-435-7900

HB7521-4606E-1

<https://www.astrodesign.co.jp>