

Optical Transmission Device for AB-4830/AC-4829

OT-5902/OR-5903

NEW



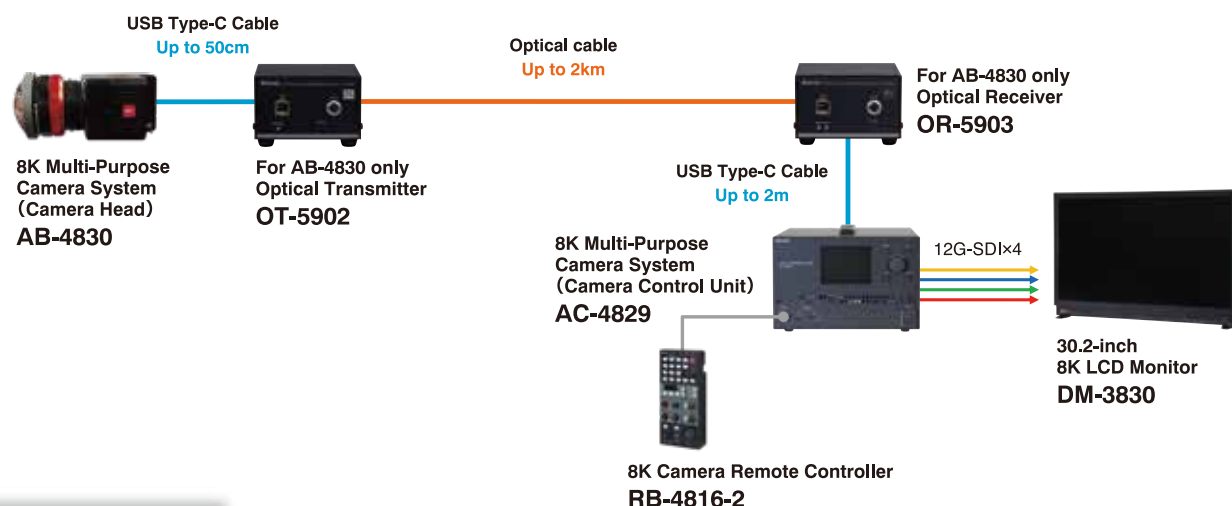
This device enables optical fiber connection between the 8K compact camera head (AB-4830) and CCU (AC-4829). The range of use of 8K video such as weather camera, surveillance system, wired drone shooting, wire camera, orchestra shooting, etc. is greatly expanded.

Features

- Optical conversion between AB-4830 and AC-4829 can transmit up to 2km
- Like the AB-4830, it has a fan less design, making it ideal for operation in quiet environments such as orchestras and theater stages.
- Using the Camera Remote Controller (RB-4816-2) it supports Micro Four Thirds lenses and control of lenses compatible with ARIB TR-B37 digital commands.

Connection Diagram

8K shooting system diagram using OT-5902/OR-5903



Specifications

Terminal Specifications (Common to OT-5902/OR-5903)

OPT Terminal	LC connector, single fiber
HEAD/CCU Terminal	USB Type-C (Original IF)
LENS Terminal	HR10 Round connector 12-pin
LAN Terminal	RJ45 connector
DC IN Terminal	HR10 Round connector 4-pin

General Specifications (Common to OT-5902/OR-5903 except power consumption)

Power Requirements	13W (OT-5902) (Head and lens not included)/8W (OR-5903)
Power Consumption	DC10V-24V (AC/DC adapter and power conversion cable included)
Operating Temperature Range	0 to 40°C
Operating Humidity Range	20 to 80%RH (No Condensation)
Dimensions	100 (W) × 60 (H) × 170 (D)mm (Excluding Protrusions)
Weight	Approx. 600g